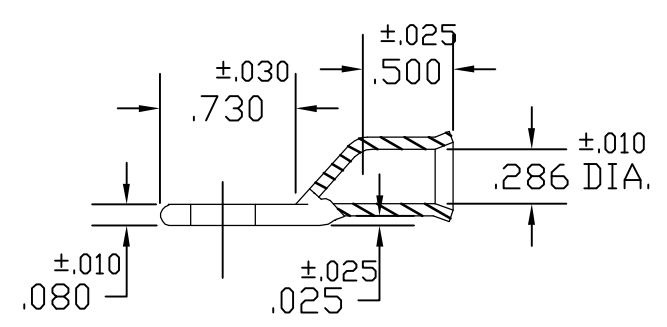
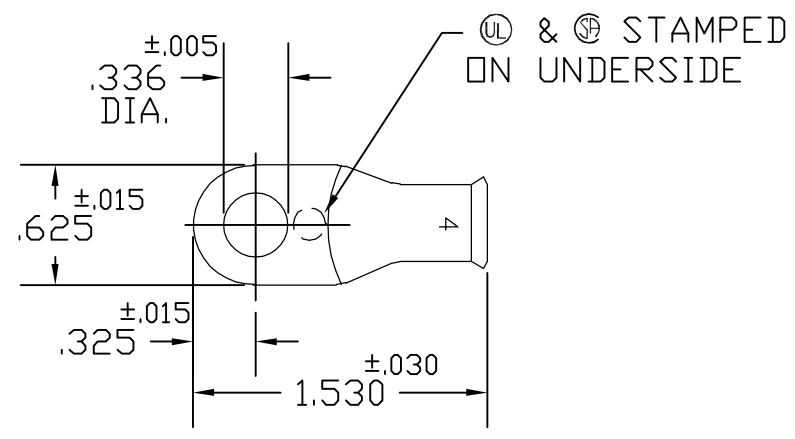


THIS DRAWING IS UNPUBLISHED. RELEASED FOR PUBLICATION  
 © COPYRIGHT BY TYCO ELECTRONICS CORPORATION. ALL RIGHTS RESERVED.

| LOC | DIST | REVISIONS |     |                           |         |     |      |
|-----|------|-----------|-----|---------------------------|---------|-----|------|
|     |      | P         | LTR | DESCRIPTION               | DATE    | DWN | APVD |
| G   | 50   |           | A1  | REVISED PER ECR-06-009961 | 28APR06 | HMR | JR   |



|        |         |           |           |             |
|--------|---------|-----------|-----------|-------------|
| ACTIVE | 4562-01 | STANDARD  | TIN PLATE | 1526251-2   |
| ACTIVE | 4562-00 | STANDARD  | PLAIN     | 1526251-1   |
| STATUS | AET P/N | PACKAGING | FINISH    | PART NUMBER |

|   |  |                  |          |   |           |                     |  |
|---|--|------------------|----------|---|-----------|---------------------|--|
| THIS DRAWING IS A CONTROLLED DOCUMENT.                                      |  | DWN<br>D.A.A     | 10/18/00 | Tyco Electronics Corporation<br>Harrisburg, PA 17105-3608 |           |                     |  |
| DIMENSIONS: INCHES  |  | CHK<br>H.D.F     | 10/18/00 |   |           | NAME                |  |
|   |  | APVD<br>H.D.F    | 10/18/00 |   |           | 4 STANDARD TERMINAL |  |
| TOLERANCES UNLESS OTHERWISE SPECIFIED:                                      |  | PRODUCT SPEC     |          | RESTRICTED TO   |           |                     |  |
| 0 PLC ± -<br>1 PLC ± -<br>2 PLC ± -<br>3 PLC ± -<br>4 PLC ± -<br>ANGLES ± - |  | APPLICATION SPEC |          | SIZE  | CAGE CODE |                     |  |
| MATERIAL<br>COPPER ASTM B-152   |  | WEIGHT           |          | A3  | 00779     |                     |  |
| FINISH  |  | CUSTOMER DRAWING |          | DRAWING NO<br>G-1526251                                   |           |                     |  |
|   |  | SCALE            |          | SHEET   |           |                     |  |
|   |  | 1:1              |          | 1 OF 1  |           |                     |  |
|   |  |                  |          | REV<br>A1   |           |                     |  |